

**AXOR ShowerSolutions**  
**Shower module 120/120 for concealed installation square**  
 Surfaces: **Chrome** Article Number: **28491000**



### Description

#### product features

- shower head size: 120 mm
- spray type: normal spray
- spray angle adjustable in five steps
- field of application: functions as overhead, shoulder or side shower
- maximum flow rate at 3 bar: 5,3 l/min
- flow rate normal spray (at 3 bar): 5,3 l/min
- connection thread: G ½
- in a joined installation (10 mm distance) the use of basic set no.28486180 is recommended
- in a freely arranged installation, connection via a G ½ connecting thread is possible
- if installed as an overhead shower with several joint modules, the use of installation aid no.28470180 is recommended
- connection dimension: DN15
- material: metal

### Technology

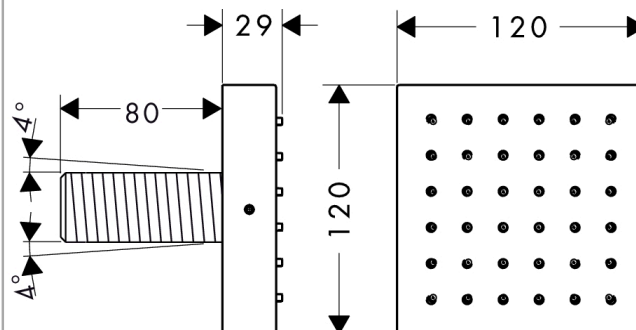


  
 Suite 4 | 22 King Edward Road  
 OSBORNE PARK WA 6017  
 T 08 9344 1500  
 W [seaofwhite.com.au](http://seaofwhite.com.au)

### Product image



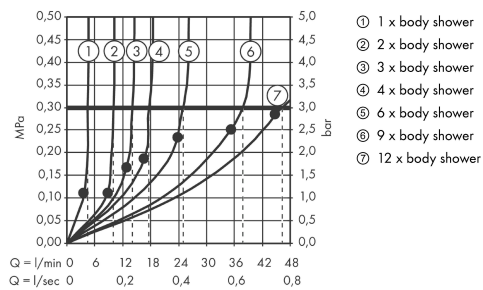
### Scale drawing



**AXOR ShowerSolutions**  
**Shower module 120/120 for concealed installation square**  
 Surfaces: **Chrome**    Article Number: **28491000**



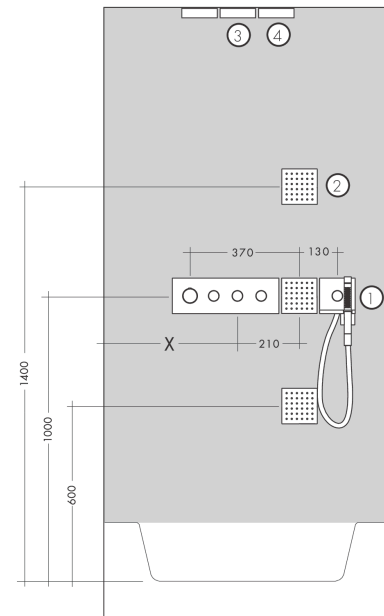
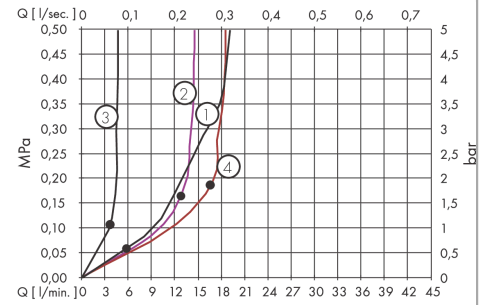
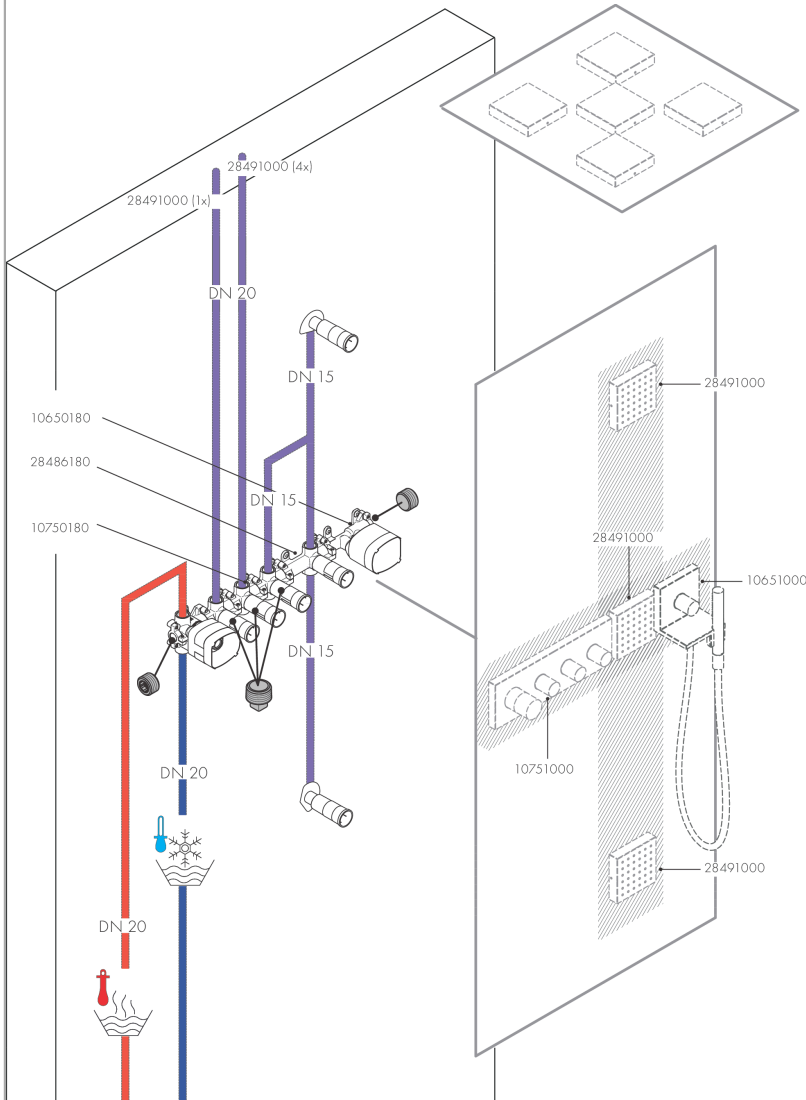
### Flowchart



**AXOR ShowerSolutions**  
**Shower module 120/120 for concealed installation square**  
 Surfaces: **Chrome** Article Number: **28491000**



## Installation examples

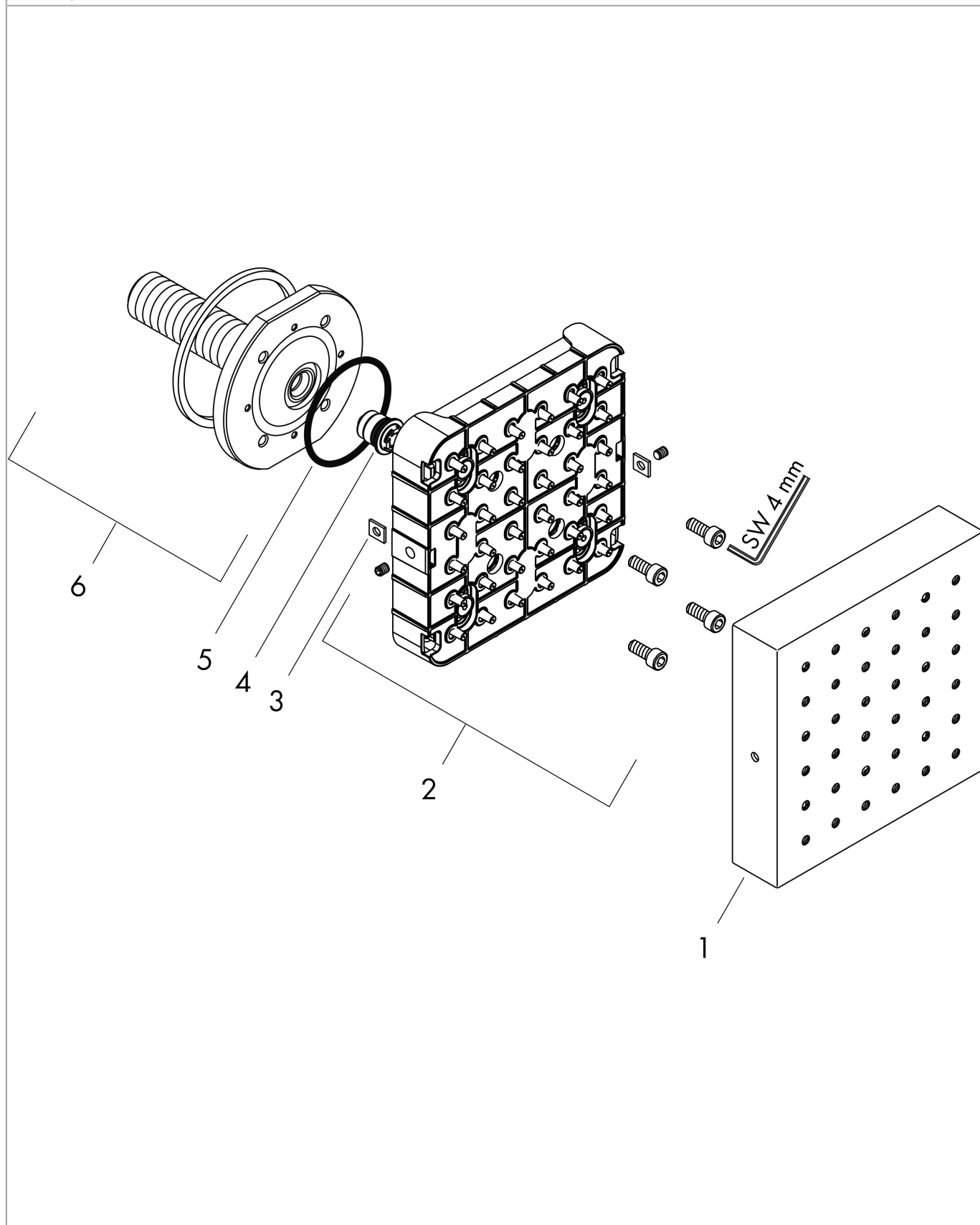


**AXOR ShowerSolutions**  
**Shower module 120/120 for concealed installation square**  
Surfaces: **Chrome**    Article Number: **28491000**



### Exploded Drawing

Year of production: >01/09



**AXOR ShowerSolutions**  
**Shower module 120/120 for concealed installation square**  
 Surfaces: **Chrome** Article Number: **28491000**



### Spare part list

Year of production: >01/09

Pos.	Description	Article Number	Price	PU
1	frontcover	95362000	-	1
2	spray body	95361000	-	1
3	nut	97794000	-	1
4	flow limiter / non return valve	95363000	-	1
5	O-ring 41x2	98212000	-	1
6	connecting thread	95364000	-	1
a	concealed item	28486180	-	1