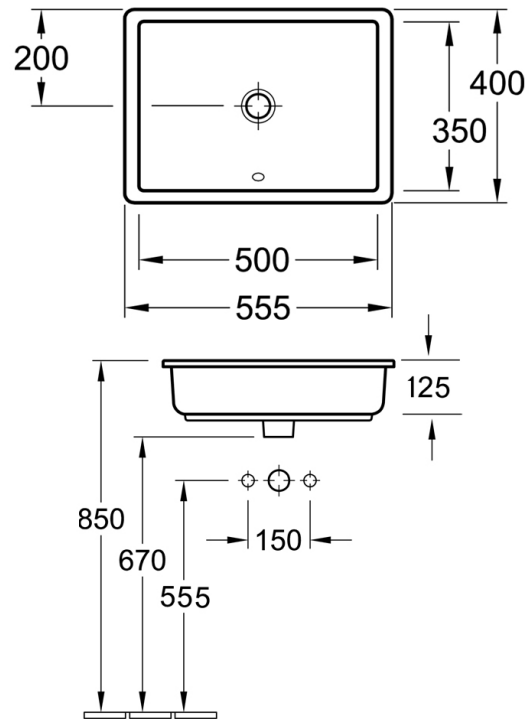




ARCHITECTURA RECTANGULAR UNDER COUNTER BASIN

Product Image	Technical Specification
---------------	-------------------------



	Suite 4 22 King Edward Road OSBORNE PARK WA 6017 T 08 9344 1500 W seaofwhite.com.au
---	---

Description	
Architectura Rectangular Under Counter Basin	
41525001	555x400x150mm OD 500x350mm ID

Additional Information
<ul style="list-style-type: none"> 5 Year Warranty *Conditions Apply Recommended waste K316-D

