

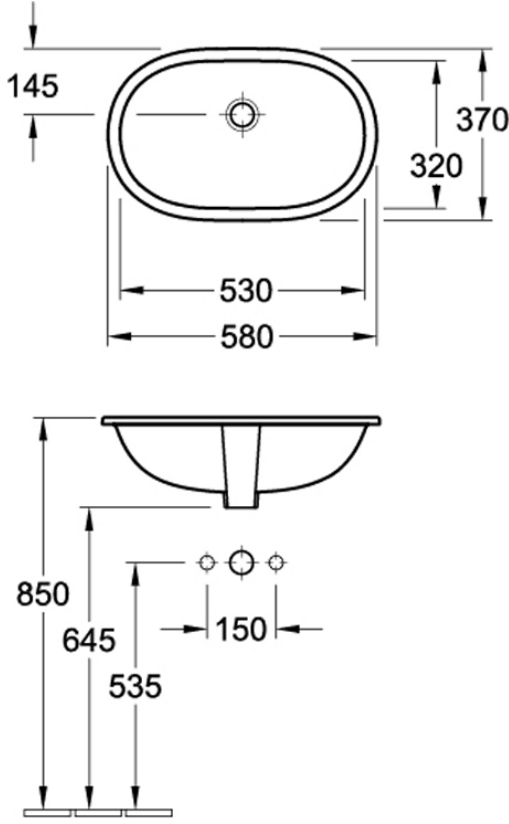




# O.NOVO 530 UNDER COUNTER BASIN

Product Image	Technical Specification
 <div data-bbox="98 1167 769 1330" style="border: 1px solid black; padding: 5px;">  <p style="margin: 0;">Suite 4   22 King Edward Road OSBORNE PARK WA 6017 T 08 9344 1500 W <a href="http://seaofwhite.com.au">seaofwhite.com.au</a></p> </div>	

Description	
O.novo 530 Under Counter Basin	
<b>41625001</b>	No Tap Hole

Additional Information
<ul style="list-style-type: none"> <li>- Recommended Waste K316-D</li> <li>- Installation Notes:                             <ul style="list-style-type: none"> <li>• Use actual under counter basins for cutting out benchtops.</li> <li>• Only silicon based adhesives should be used, not epoxy resins.</li> </ul> </li> <li>- Overflow hole should be positioned closest to the front of the cabinet.</li> </ul>