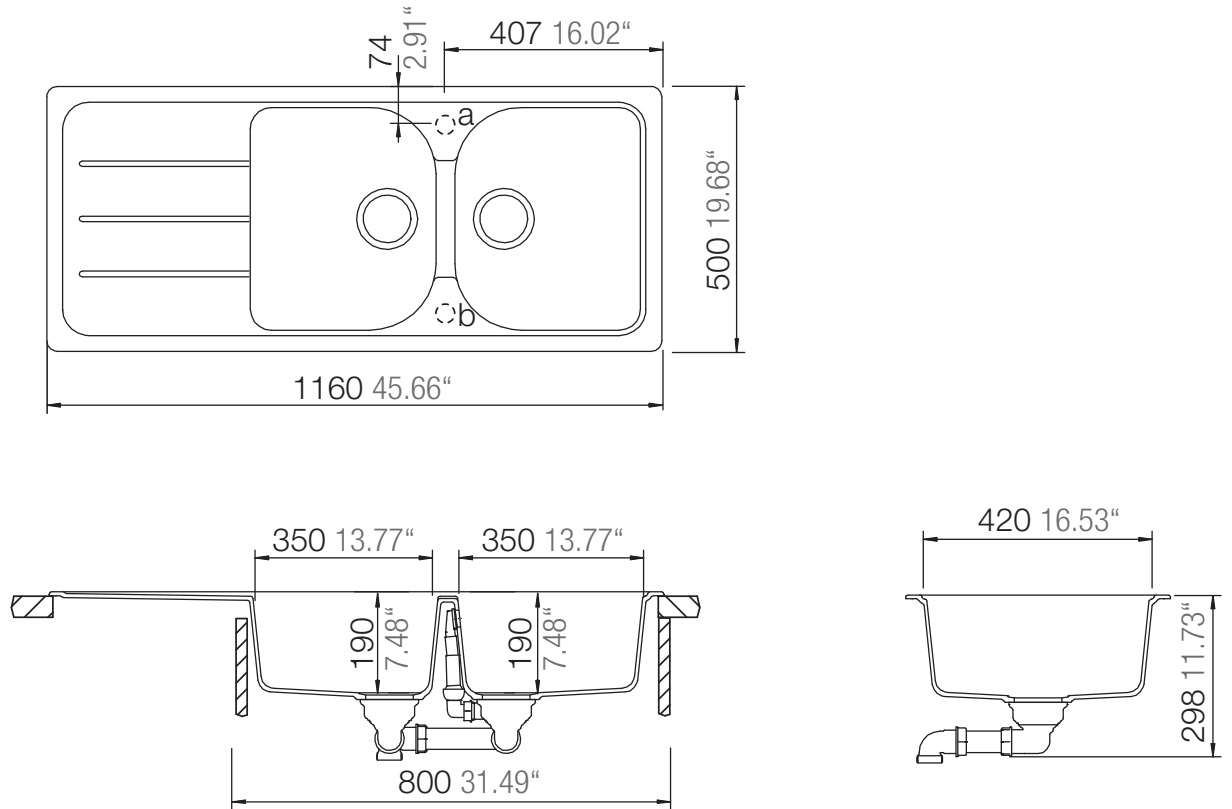


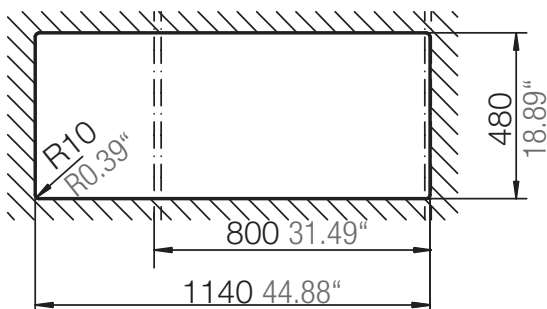
SCHOCK

CRISTALITE⁺

FORMHAUS D-200



Installation: Von oben / topmount
Ausschnitt / cut-out



seaofwhite

Suite 4 | 22 King Edward Road
OSBORNE PARK WA 6017
T 08 9344 1500
W seaofwhite.com.au

MASSANGABEN / MEASUREMENTS IN MM / INCH