

seaofwhite

Suite 4 | 22 King Edward Road  
OSBORNE PARK WA 6017



T 08 9344 1500

W [seaofwhite.com.au](http://seaofwhite.com.au)



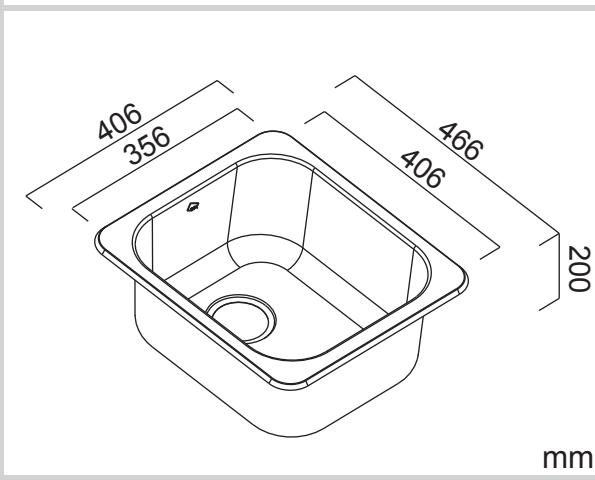
Model Code: AL100

### Included Accessories

 Inset Clip	 6020	

### Optional Accessories


### Dimensions



### Specifications

Description	Single bowl, inset sink
Overall Sink Size	406mm x 466mm x 200mm deep
Bowl Dimensions	356mm x 406mm x 200mm deep
Drainer Length	N/A
Technic	Pressed
Material	Stainless steel SUS304

### Installation


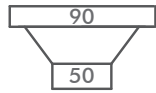
Fixings	Inset clips supplied
Template	N/A
Min Cabinet Size	426mm
Waste Holes	1 x 90mm round Compatible with waste disposal
Sealing Strip	Factory fitted

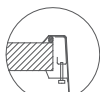
### Plumbing

Waste Fittings	1 x (90mm x 2") basket waste included
Overflow	Available, conditions apply

### Packaging

Carton Type	EPS protection & sleeve
Gross Weight	2.26Kg
Carton Size	530mm x 485mm x 225mm
Pack QTY	1

<b>SURFACE FINISH</b>  Cashmere	<b>WASTE KIT</b>  90 50	<b>MATERIAL</b>  SUS 304 Stainless Steel
--	---	---

<b>INSTALLATION OPTIONS</b>  Inset	<b>PROFILE</b>
---	----------------