

**AXOR Starck V**  
**Single lever basin mixer 140 with glass spout and waste set**  
Surfaces: **Chrome** Article Number: **12112000**



#### product features

- consists of: single lever basin mixer, waste set
- ComfortZone 140
- projection: 125 mm
- spout height: 141 mm
- swivel range adjustable in 3 steps 95°, 120° or 360°
- spray type: laminar spray
- EasyClick connection between body and spout with SafetyStop-function
- Spout is dishwasher safe
- material spout: crystal glass
- maximum flow rate at 3 bar: 4 l/min
- ceramic cartridge
- non-closing waste set
- connection type: G 3/8 connections
- connection dimension: DN15
- handle can be positioned on the right or left
- handle position on the side: bottom-side at the base body (not suitable for wash bowls)
- not recommended for the public and semi-public area

#### Technology



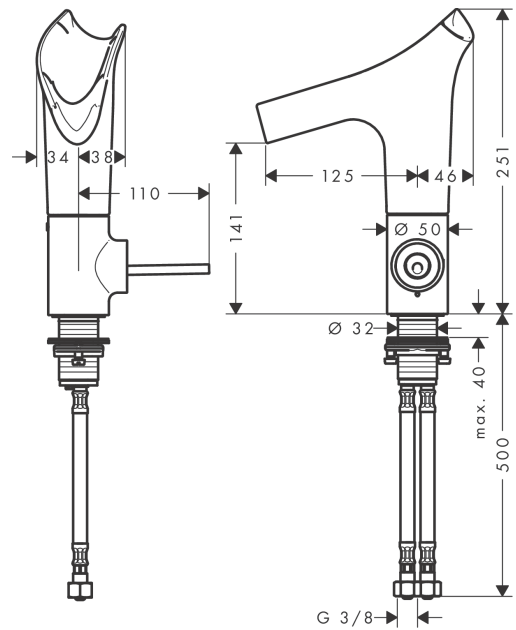
**AXOR Starck V**  
**Single lever basin mixer 140 with glass spout and waste set**  
 Surfaces: **Chrome** Article Number: **12112000**



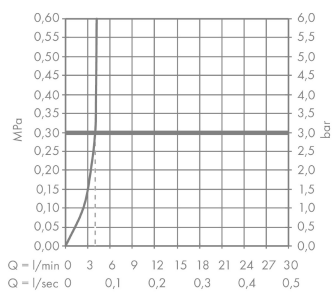
## Product image



## Scale drawing



## Flowchart

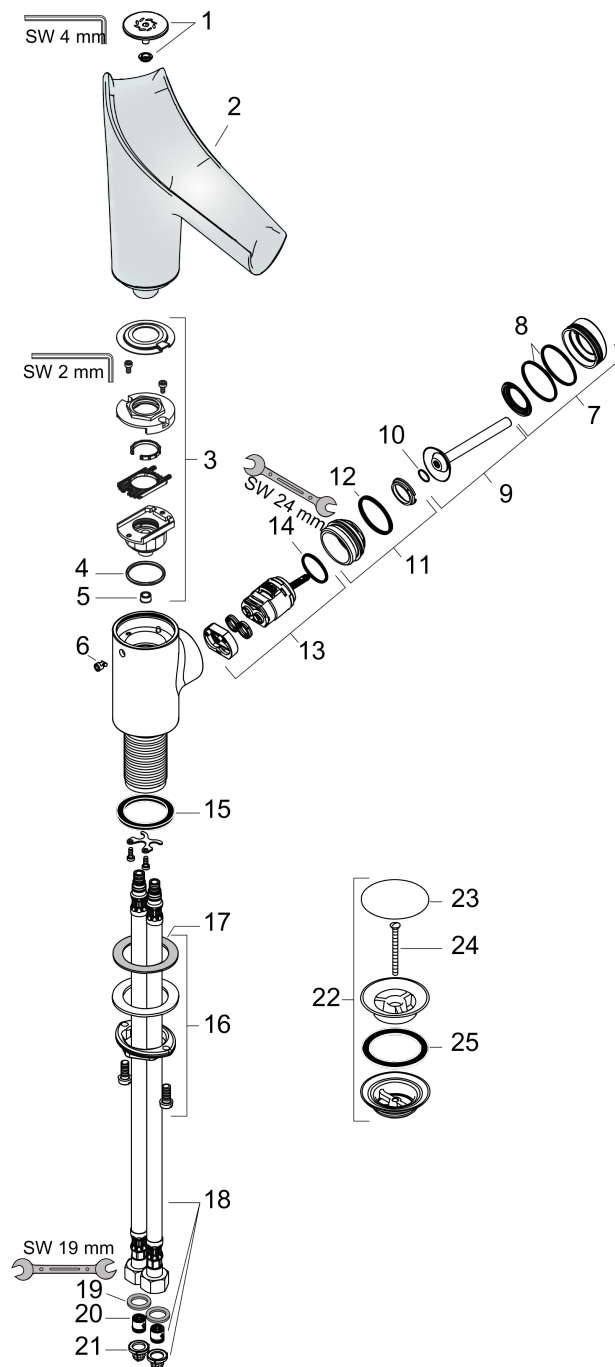


**AXOR Starck V**  
**Single lever basin mixer 140 with glass spout and waste set**  
 Surfaces: **Chrome** Article Number: **12112000**



## Exploded Drawing

Year of production: >07/16



**AXOR Starck V**  
**Single lever basin mixer 140 with glass spout and waste set**  
 Surfaces: **Chrome** Article Number: **12112000**



## Spare part list

Year of production: >07/16

Pos.		Article Number	Price	PU
1	spray head cpl.	92486000	€ 124,95	1
2	spout cpl.	92487000	€ 539,55	1
3	service unit	92488000	€ 162,08	1
4	O-ring 26x2	98147000	€ 3,21	1
5	flow limiter (4 l/min)	92491000	€ 11,31	1
6	pushbutton	92492000	€ 35,94	1
7	escutcheon	92489000	€ 124,95	1
8	O-ring 35x1,5	92114000	€ 5,24	1
9	handle	92490000	€ 100,44	1
10	O-ring 9x2	98119000	€ 3,21	1
11	nut	95667000	€ 22,37	1
12	O-ring 30x1,5	98433000	€ 3,21	1
13	cartridge, assy	96339000	€ 70,57	1
14	O-ring 21,95x1,78	95169000	€ 3,21	1
15	flat seal	98749000	€ 5,24	1
16	fixing set (Ø 32)	13961000	€ 22,37	1
17	lever collar	97548000	€ 3,21	1
18	connection hose 450 mm M8x0,75 G3/8	98809000	€ 44,63	1
19	sealing set	95581000	€ 5,24	1
20	non return valve DW 10	96456000	€ 8,45	1
21	filter packing	95291000	€ 11,31	1
22	waste	50001000	-	1
23	cover	97141000	€ 18,33	1
24	screw	98000000	€ 5,24	1
25	form ring	96361000	€ 8,45	1
a	fixation extension 35 mm	13898000	€ 70,57	1
b	spray body (recommended at operating pressure < 0,15 MPa)	92341000	€ 100,44	1