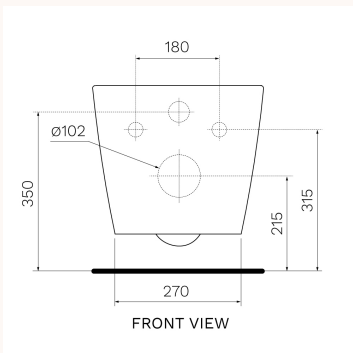
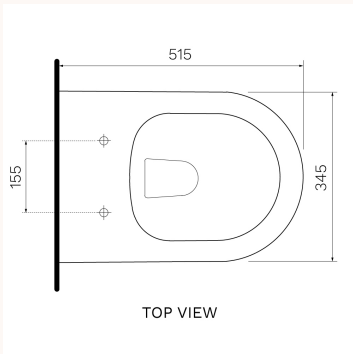
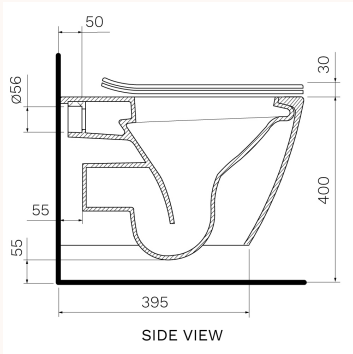





Ellisse II Wall Hung Pan Rimless (including Soft Close Seat)

PN620

The innovative design of the PARISI Ellisse II Wall Hung Pan with Rimless technology projects water rather than the traditional flushing mechanism where water pours down the rim. Through the powerful delivery of water and open rim design, maximum cleaning of the inner bowl is achieved.



| | |
|------------------------|---|
| Product type | Toilets |
| Brand | PARISI |
| Collection | Ellisse |
| Range | Design |
| Designers | PARISI Design Team |
| WxDxH | 345mm x 515mm x 345mm |
| Colour / Finish |  Gloss White |

| | |
|----------------------------------|---|
| Material | Ceramic |
| WELS | 4 Star 4.5/3L |
| Trap options | P-Trap |
| P Trap set out (mm) | 215mm height FFL |
| Inlet Options | Back Inlet 350mm height FFL |
| Seat | Soft Close Seat Centric Lift Off Hinge (PN5745) |
| Average water flush (L/f) | 3.3 Litres |
| Rimless | Yes |

| | |
|-----------------------------------|--|
| Warranty | 10 Year Warranty |
| Availability | Stocked Item |
| Fixing Types | Wall |
| Features: | Seat - Soft Close, Slim Heavy Grade, Easy Lift-off Hinges, UV Resistant, Antibacterial (PN5745) |
| Installation Instructions: | Compatible with concealed cisterns (PA120, PA121, PA140, PA141) Compatible with push button panels and remote button sets (PA221 - PA265) |

PARISI



RIMLESS

